



*Model CST/P/CB-6HY12 6 ft. long Condiment Serving Table with black powder coated frame and yellow thermo-coated perforated table top. Shown with standard bolt-down frame base plates.*

- **Quality construction throughout**
- **Frames are hot-dip galvanized after fabrication for superior corrosion resistance**
- **Thermo-plastic Coating heat fused to Perforated Steel Top and Seats for durability**
- **Thermo-plastic Coating formulated with U.V. stabilizers for ultraviolet protection**

#### **SPECIFICATIONS:**

- **CST Series** table is designed as a concession area table to serve up condiments, utensils and supplies. This allows your concession stand customers to step away from the serving window to prepare their purchases. Table provides a nom. table top height of 46".
- **Model CST/G-4** is a nom. 4 ft. in length.
- **Model CST/G-6** is a nom. 6 ft. in length.
- **Model CST/G-8** is a nom. 8 ft. in length.
- **Model CST/G-10** is a nom. 10 ft. in length.
- Table frames are 2-3/8" OD steel pipe with 3/16" thick steel top angle. Each post comes standard with 7/16" thick 8" square base plate.
- **Standard:** All steel frame components are hot-dip galvanized after fabrication to ASTM-A123 to maintain an average zinc coating of 2.0 oz. per sq. ft. of surface area (indicated by "/G" in model no., e.g. CST/P/G-6HW).
- **H-Type** table top is 2-1/2 in. x 12 in. wide (nom.) 12 ga. perforated steel with integrated edge banding and 10 ga. internal mounting angles. Substructure includes all mounting holes for easy assembly of table.
- **Standard:** All steel surfaces of the top are covered with a thermo-plastic coating in a Brown color (indicated by "HW" in model no., e.g. CST/P/G-6HW12). The UV-stabilized thermo-plastic coating is applied in a multi step process of material preparation and finish application designed to permanently heat fuse and bond the finish to the steel. The thermo-plastic polyethylene finish is impact resistant, does not support mold or mildew, and the textured matte surface is less susceptible to marring and scuffing.
- **Optional:** Surface Mount Anchor Kit (#ANC5-4) not included. Use one kit per post.
- **Optional:** Longer posts (no base plates) for embedded installation into concrete footing.
- **Optional:** Color choices of powder coated steel frame components. See Specification Bulletin #SPC-CO-001.
- **Optional:** Color choices of Thermo-plastic coated steel components. For optional colors choices see Specification Bulletin #SPC-CO-001.

#### **AVAILABLE OPTIONS**

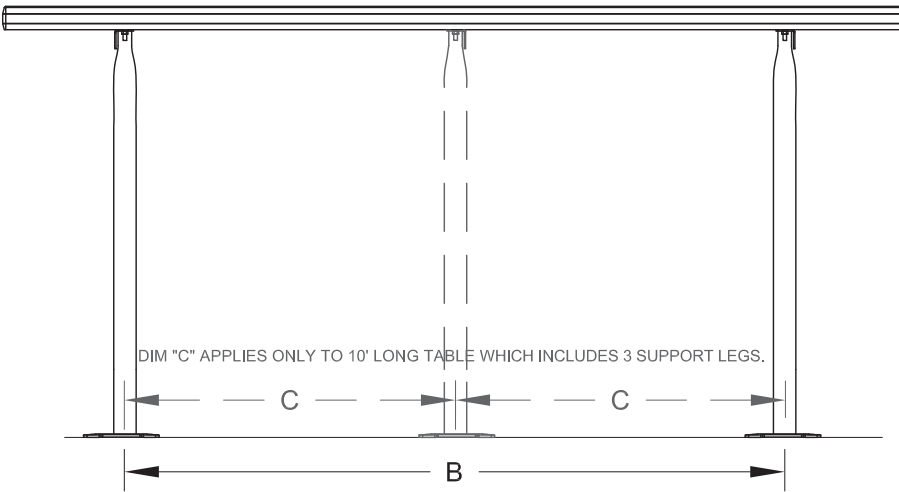
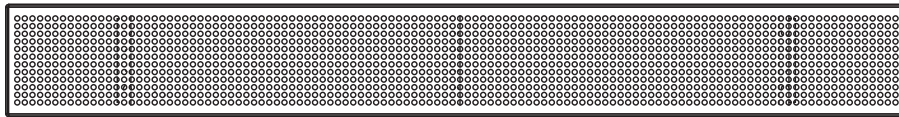
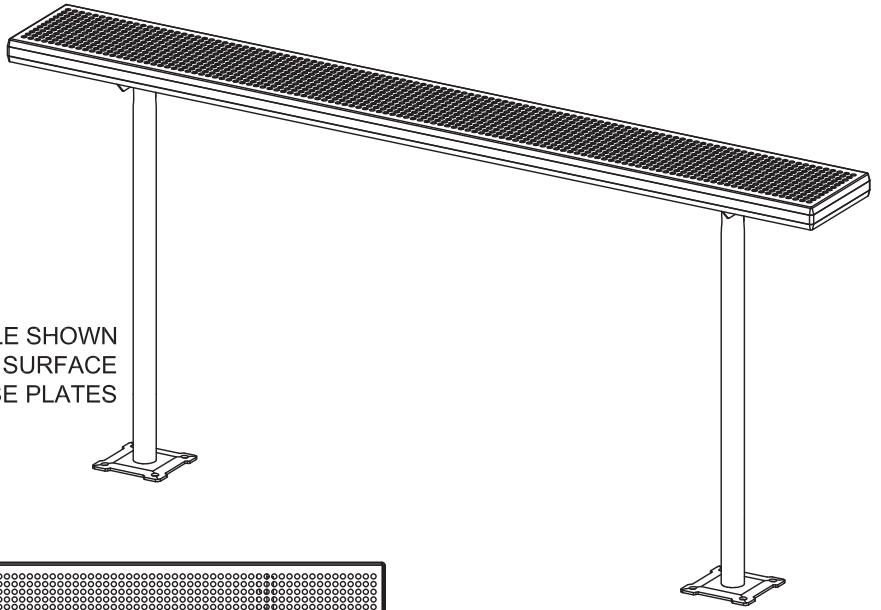
- **4', 6', 8' or 10' models**
- **Powder Coat Finish in choice of colors for steel frame components**
- **Choice of colors of Thermo-plastic Coating**

**RJ Thomas Mfg. Co., Inc.**

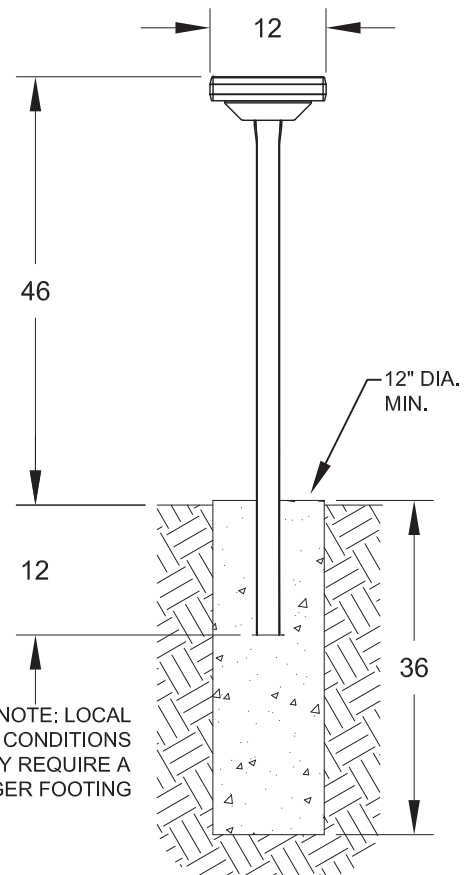
PO Box 946 • Cherokee, IA 51012-0946 • PH: 712-225-5115 • 800-762-5002 • FAX: 712-225-5796  
E-mail: pilotrock@rjthomas.com • Web Site: <http://www.pilotrock.com>

© 2019 RJ Thomas Mfg. Co., Inc. PILOT ROCK® Park Products is a registered trademark of RJ Thomas Mfg. Co., Inc.

MODEL CST TABLE SHOWN  
WITH STANDARD SURFACE  
MOUNT BASE PLATES



DIM "C" APPLIES ONLY TO 10' LONG TABLE WHICH INCLUDES 3 SUPPORT LEGS.



OPTIONAL EMBEDDED MOUNT  
INSTALLATION SHOWN

	TABLE LENGTH			
	4'	6'	8'	10'
<b>A</b>	48	72	96	120
<b>B</b>	36	51 3/4	69	103 1/2
<b>C</b>	N/A	N/A	N/A	51 3/4

ALL DIMENSIONS IN INCHES

**RJThomas**  
**Mfg. Co., Inc.**  
P.O. Box 946  
Cherokee, IA 51012

TITLE **MODEL CST CONDIMENT SERVING TABLE WITH  
PERFORATED STEEL TABLE TOP**

DRAWN BY **JGJ**

DATE **12-20-19**

DWG. NO. **AI-3011**